

Position switch

DUK
DITTELBACH UND KERZLER

Lever Limit Switch

LHS-25

**RHEINBRAUN's
standard for their
open pit equipment**



- **Absolute synchronous snap action of all contacts**
- **Direct opening**
- **Up to 25 Ampère**
- **Up to 6 contacts**
- **Cast-iron enclosure**
- **IP 66**

Position switches are used to stop motions and drives or to signal at reached travel limits of movements.

The robust design and the choice of best materials for the LHS-25 guarantees highest reliability and lifetime. The absolute synchronous snap action of all contacts happens when the actuation lever is displaced by 30° left or right out of the neutral position. The absolute synchronous snap action allows no overlapping of the switching points. The switch can be equipped with up to 6 contacts, NO or NC, dependent or independent on the direction of displacement of the actuation lever. The installed direct commutation system (positive action) guarantees safe commutation of the contacts even with fused contact surfaces caused by a short-circuit. The lever is forced by a very strong internal spring into the neutral position, the torque of 10 Nm is strong enough for reliable release even if iced between lever and housing.

The IP66 protected housing is made of stable cast-iron. All contacts are wired up to a terminal strip in a separate connection box. The actuation lever can be pinned in 4 positions by 4x90° keyways on the switch shaft. For a long life the stable roller of graphited polyamide is sleeve beared on a stainless steel axis. This combination combination guarantees optimum life time as well as the use of sealing rings and ball bearings for the switch shafts, stainless steel for the shafts, screws made of stainless steel, loss-protected lid screws etc. . . .

The type LHS-25/5-8RV is standardized by the Rheinbraun providing following contacts: 1 NC opening only left, 1 NC opening only right, 1 NO closing on both sides and 1 NC opening on both sides. Other on request.



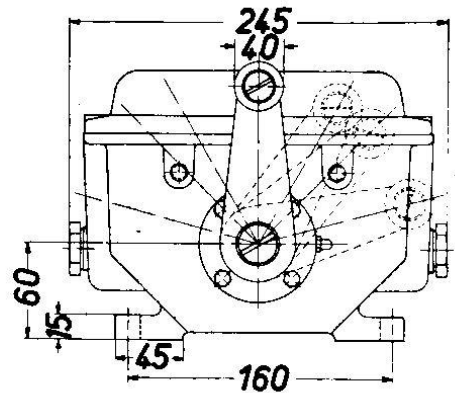
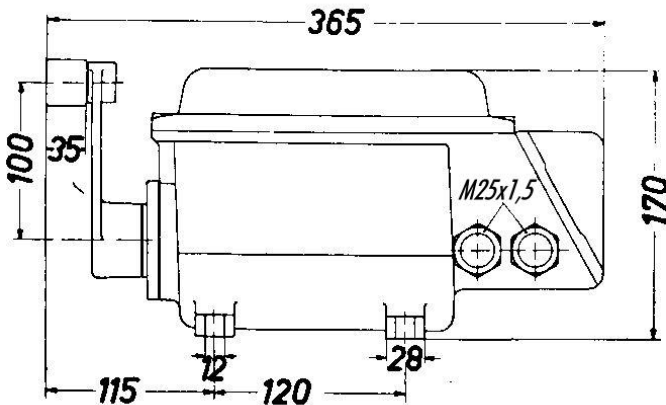
Lever Limit Switch

Position Switch

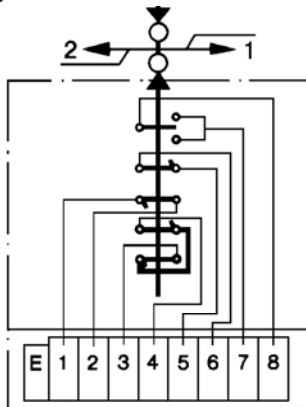
LHS-25

Technical Data

Conforms to standards	EN 60947, EN60204, DIN VDE 0168
Switching angle	30°
Angle for direct opening	45°
Maximum displacement	75°
Actuation torque	10 Nm
Cable conduit	4 x M 25x1,5 threaded hole, all sealed with IP66 plug
Contacts	max. 6
Rating	25 Ampère
	230 VAC 5.5 kW / 380 VAC 9.5 kW / 500 VAC 12.5 kW
Type of enclosure	IP 66
Housing material	cast iron
Housing colours	yellow RAL 1003 or red RAL 3000,
Weight	17 kg
Fixing	4 holes for M10-screws
Installing position	free
Operating temperature	-40°C up to +85°C



Wiring scheme LHS-25/5-8RV



- 1 – 2 NC, breaks only left
- 3 – 4 NC, breaks left and right
- 5 – 6 NC, breaks only right
- 7 – 8 NO, makes left and right

Order number for standardized type: LHS-25/5-8RV