

Material flow control

MWM-1/5

Installation and operating instructions



Principle: Before any work shall be carried out it has to be checked that the whole line is circuit-free and any specific and general security instruction has been fulfilled.

Material flow control switches of this type are provided to be installed for the automatic operation of belt conveyors. They monitor the charge height of bulk material on the belt as well as the interruption of the material flow. DUK material flow control switches MW are equipped with a dragging sheet leaded over the belt by a joint pipe measuring approx. 50 cm long. This dragging sheet lies on the conveying belt or on the bulk material due its dead weight. During the transport of bulk material on the belt, the dragging sheet is highly different displaced. After having achieved the displacement height being internally adjusted, the change-over effects.

For a reliable, maintenance-free operation, all shafts are ball beared. The solid steel housing with the type of enclosure IP65 enables a high operating field. The dragging sheet is fastened with only one nut and, consequently, easy to be exchanged. It is mountable either for left or right direction of belt motion.

Mounting: Put the switch on a plane and stable console, whose plane is parallel to the plane of the belt and approx. 400mm over the height of bulk material being expected. Also adjust the switch in such manner that the blade slides over the middle of the belt area. Fixing of the switch is to be effected with two suitable screws M12 at the wholes 14 x 30 mm.

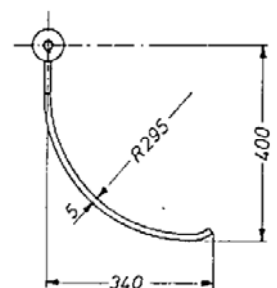
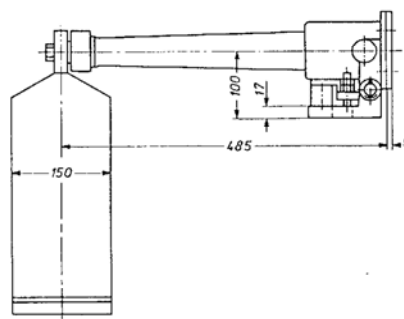
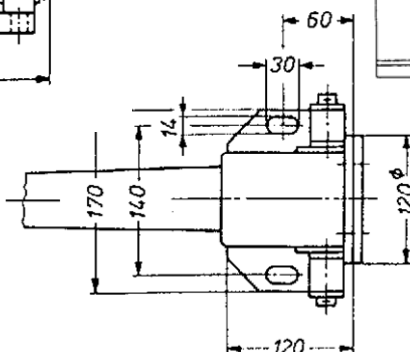
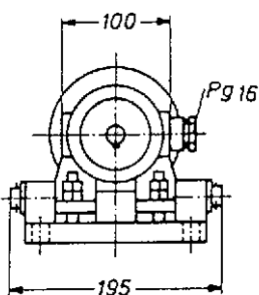
Mounting of dragging sheet: Push on the dragging sheet on the shaft and secure with nuts of type M8.

Installation: To allow electrical installation open lid by. Inside a micro switch with one NO and one NC is accessible. Functions of the contacts are printed on.. Wire the contacts and the earthing contact according to the requirements demanded by the line at-site. The cable duct should be well sealed.

Adjustment: Open the lid after loosening the cap screw M6 carry out the adjustment at the switch wafer. Once finished the adjustment tighten screw. Afterwards put on the cover again and tighten screws.

Check: Please check any electrical and mechanical function after completion of installation.

Maintenance: There is no need of any maintenance works for DUK material flow control switch due to proven construction and high material quality.



Schleppfahne

Fixing	2 holes for M10-screws
Type of enclosure	IP 65
Cable inlet	micro switch: 1 x M20- threaded hole proximity switch: brought out cable end
Colour	yellow RAL 1003, other colours on request
Weight	16.0 kg, with counter weight 18.0 kg
Operating temperature	-25°C up to +45°C