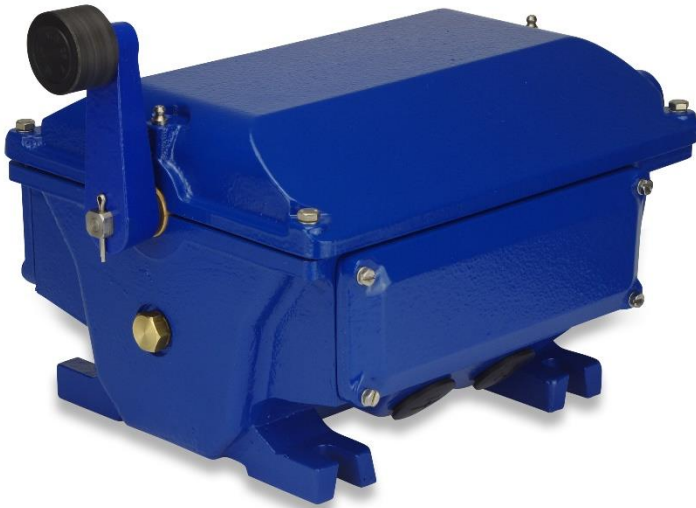


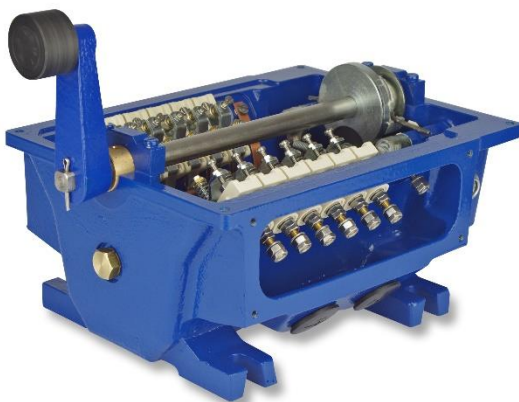
Lever Limit Switch

OH

DUK
DITTELBACH UND KERZLER



- **Up to 380 Ampère**
- **Up to 10 contacts**
- **Snap action contacts**
- **Direct opening contacts**
- **IP 55**



Lever limit switches are used for signaling reached positions or for shutting off in end positions.

Lever limit switches type OH are equipped with a lever, which is held by an internal spring in his neutral, middle, position. If the roller on the top of the lever will be driven against a cam or an actuating bar, the lever will be displaced against the force of the internal spring out of the neutral position in one of the two possible directions (left or right) and the commutation happens. Hereby the contacts commutate with snap action, forced opening and forced closing. By leaving the high section of the cam or bar the lever will be turned back by

the force of the internal spring and the switching into the neutral, middle position happens automatically (except version <W>, this version is equipped with a latching mechanism, release only direct at the switch (please see „versions“)).

Each switch can be equipped with up to 10 contacts according to your demands. Each contact can have his own function (opens only at actuation in left direction, opens only at actuation in right direction, opens at actuation in both directions, closes only at actuation in left direction, closes only at actuation in right direction, closes at actuation in both directions). All contacts switch over simultaneously with snap action when the lever is displaced 30° out of the neutral position. The forced commutation follows at 45°. The highest displacement angle is 75°.

The IP 55 housing is made of grey cast iron. The switch is equipped with two connection boxes, one for the incoming cable and one for the outgoing cable. Each connection box is equipped with 2 threaded cable ducts. Each box has a ground connection. For long time reliable service the switch should be filled with transformer oil according VDE 0370. If so, the mounting position is only horizontal, in all other cases free. The actuation lever is square-holed, therefore 4 mounting positions (upright, left, right, hanging) are possible.

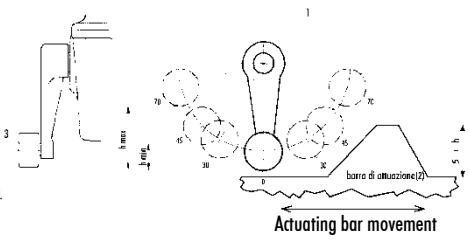
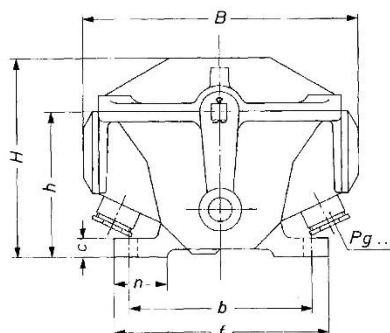
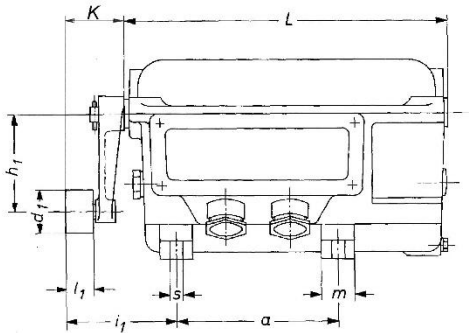
Versions

- With a second shaft butt for coupling further machinery, version <K>
- With latching, manual release direct at the switch, version <W>
- Counterweight limit switch

Lever Limit Switch OH

Technical data

Housing Type	Contact Size	Rating A	Breaking power AC cos phi=0,8 220V 500V Kilowatt Kilowatt		Weight Kg	Actuating bar h _{min} h _{max} mm mm		Switching torque Nm	Oil filling litres	Cable duct thread
OH0	10	10	4	7	10	25	50	6,5	1	4 x M20
OH1	40	40	11	22	22	32	65	15	2	4 x M32
OH2	60	60	17	33	29	35	72	15	3	4 x M32
OH3	100	100	28	55	42	35	72	20	5	4 x M50
OH4	200	200	56	98	54	35	72	20	7	4 x M50
OH4	300	300	70	145	56	35	72	20	7	4 x M50
OH4	380	380	90	180	58	35	72	20	7	4 x M50



Dimensions [mm]

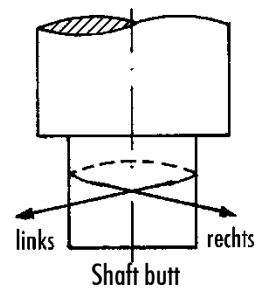
Housing Type	L	B	H	K	h	a	b	i ₁	f	m	n	s	c	l ₁	d ₁	h ₁
OH0	238	212	145	48	95	130	120	77	145	28	40	11	15	20	30	70
OH1	305	265	185	54	135	175	170	97	200	40	50	12	20	25	40	90
OH2	343	282	210	52	160	200	200	107	230	40	50	14	22	25	40	100
OH3	413	345	240	52	180	200	200	109	230	45	70	18	22	25	40	100
OH4	510	352	240	52	180	335	200	109	230	45	70	18	22	25	40	100

Character of contacts

- A - NC, opens left and right
- B - NC, opens only right
- C - NC, opens only left
- D - NO, closes only right
- E - NO, closes only left
- F - NO, closes left and right
- G - Bridge, looped through wire

Left means: At reaching the switching point by turning the shaft but counterclockwise

Right means: At reaching the switching point by turning the shaft but clockwise



Examples of order numbers

Standards:

Characters of contacts Order number

- G - A - A **OHx-y/2**
- A - A - A **OHx-y/3**
- A - A - A - A **OHx-y/4**
- C - B **OHx-x/2x1**
- G - C - B - C - B **OHx-y/2x2**
- G - C - B - C - B - C - B **OHx-y/2x3**

(x = Housing type)
(y = Contact size)

Individual, for example:

OH3-100/7 KA:F-C-B-C-B-C-B

- OH Lever limit switch
- 3 Housing type 3
- 100 Contact size 100
- 7 7 Contacts
- KA:F-C-B-C-B-C-B Character of contacts:
- 3 openers only left
- 3 openers only right
- 1 closer left and right

Further versions on request, please contact us

DITTELBACH UND KERZLER GmbH & Co. KG Talstrasse 27 D-35394 Giessen

Tel.: +49 641 97224-0 Fax: +49 641 97224-22 e-mail: info@DUK.eu