

Belt Tear Detector

DUK

BTD2

DITTELBACH UND KERZLER

**SENSIBLE SENSING
EASY TO INSTALL**



In order to be able to detect damage to the conveyor belt as best as possible, a rope is attached transversely and as close as possible to the conveyor belt. One end of this rope is fixed to the structure of the conveyor. On the other side it is connected to a male plug socket which is held in a female plug socket.

- **Stops the belt in case of belt damage**
- **Adjustable trip sensitivity**
- **Universal mounting**

As an object hanging below the belt sweeps away the rope, the male plug socket will break out of the female plug socket. In this moment a proximity switch inside the female plug socket will make contact.

The trip sensitivity is adjustable easiest by simple transposing of the spring.

The slack of the rope can be fine-tuned as quickly as possible: The female plug socket is equipped with an extra long thread allowing a longitudinal adjustment and thus the adjustment of the length of the rope.

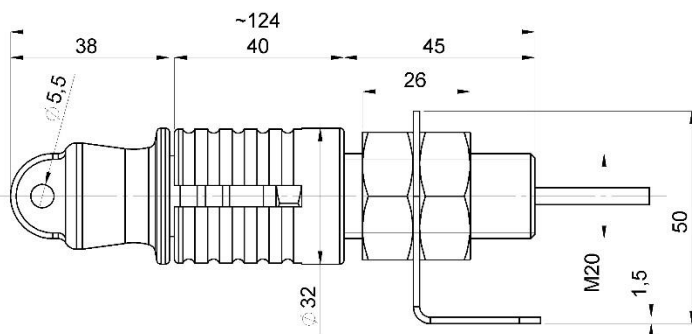
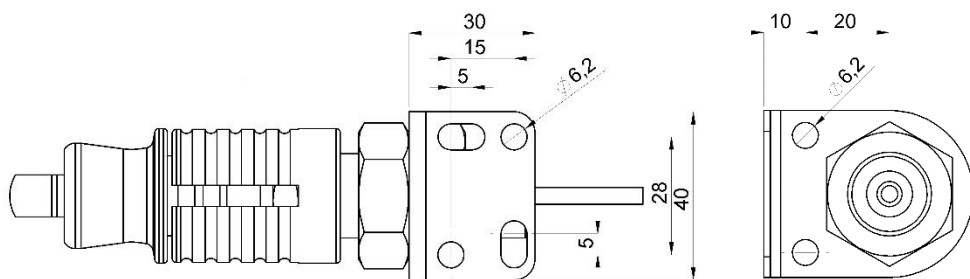
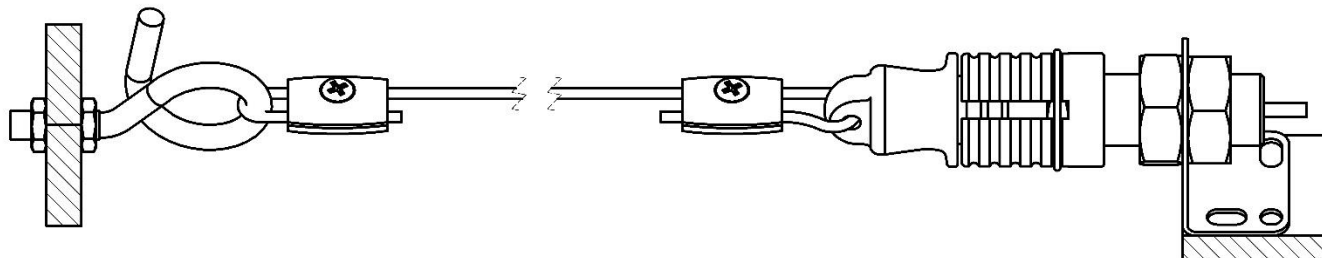
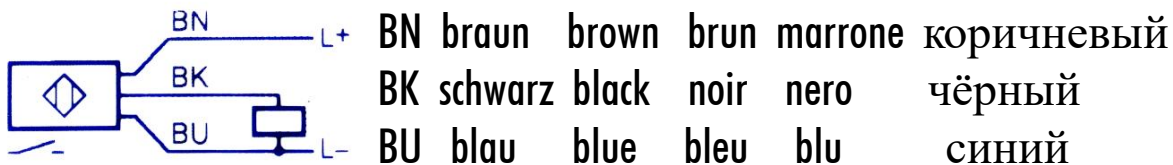
The set comes with all components necessary for easiest and fastest mounting inclusive an angled as well as a plane mounting bracket.

Belt Tear Detector

BTD2

Technical data

Proximity switch	PNP, 1 NO contact
Manufacturer / type	ifm / IFS703
Conformity	EN 60947-5-2
Voltage U_b	10 up to 30VDC supply class 2 acc UL
Consumption	<10mA
Current I_e	max 100mA
Connection cable	ca. 2m, PUR, 3 x 0.34mm ²
MTTF	861 years
Mounting	1 angled bracket or 1 plane bracket or direct on the M20-thread of the socket
Protection	IP69K
Materials	Sockets: POM proximity switch: nickelled brass brackets: stainless steel rope, fastening fittings: zinc coated steel
Operation temperature	-40°C up to +70°C



DITTELBACH UND KERZLER GmbH & Co. KG Talstrasse 27 D-35394 Giessen

Tel.: +49 641 97224-0

Fax: +49 641 97224-22

Web: www.DUK.eu

E-mail: info@DUK.eu